



2-Way Wireless

Wireless Curtain Detector

Model: RWX106

- 8µA standby
- 868.65MHz
433.92 MHz
- 15/65 min. 1-Way (868/433 MHz)
0-255 min. 2-Way
- = 3 years typical
3V, 1450mAh Lithium Battery
Type CR123A
Low voltage threshold: 2.6V
Power Output 10mW
- 31.5 mm (1.2")
35 mm (1.4")
98.5 mm (3.9")
- 10° C to 55° C
(14° F to 131° F)
75% average relative humidity
- 110 gr.
- x 1
x 3
x 1

EN Introduction and Features

The Wireless Curtain PIR is a stylish wall mounted passive infrared detector.

- Selectable range up to 6m
- Integral 90° bracket – can be mounted either side of the window
- Compatible with both 1-way and 2-way wireless systems
- Easy battery replacement

IT Introduzione e caratteristiche

Il rivelatore radio per protezioni a tenda è un sensore all'infrarosso passivo adatto alle installazioni a parete.

- Area di copertura selezionabile fino a 6 metri
- Staffa di 90° integrata per il montaggio su entrambi i lati della finestra
- Compatibile con i sistemi radio monodirezionali e bidirezionali
- Sostituzione semplificata delle batterie

ES Introducción y características

El detector PIR de Cortina Inalámbrico es un moderno detector de infrarrojo pasivo de montaje en pared.

- Alcance hasta 6 m
- Soporte de 90° integrado para montaje a cualquier lado de la ventana
- Compatible con sistemas inalámbricos unidireccionales y bidireccionales
- Fácil reemplazo de la batería

FR Introduction et Fonctionnalités

Le détecteur Rideau IRP sans fil est un détecteur design à infrarouge passif, à fixer au mur.

- Portée réglable jusqu'à 6m
- Support de fixation 90° - pour un montage sur le côté de la fenêtre
- Compatible sur les systèmes sans fil mono et bidirectionnels
- Remplacement simple des piles

PR Introdução e características

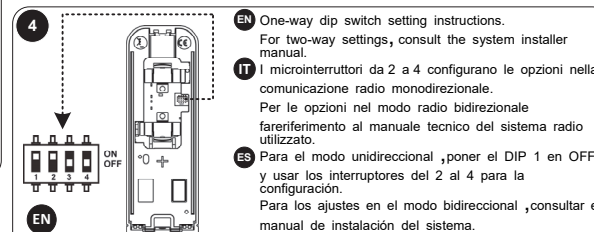
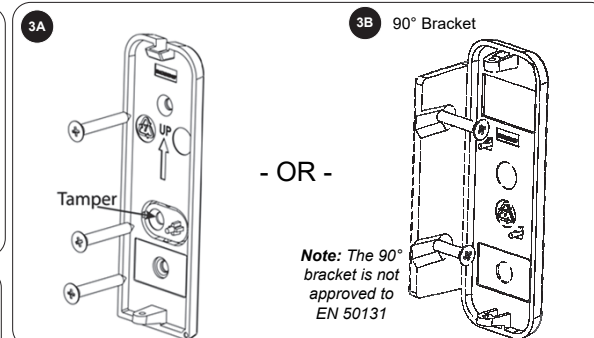
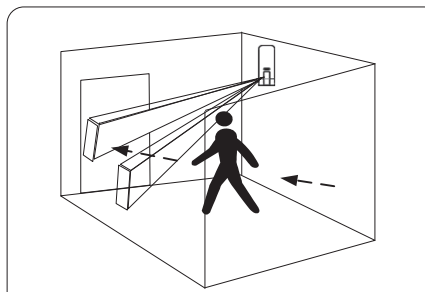
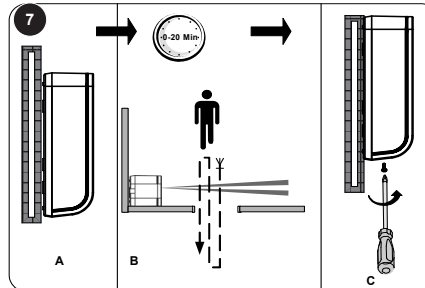
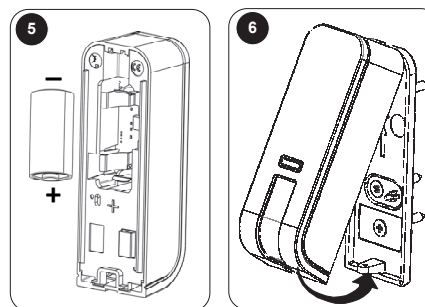
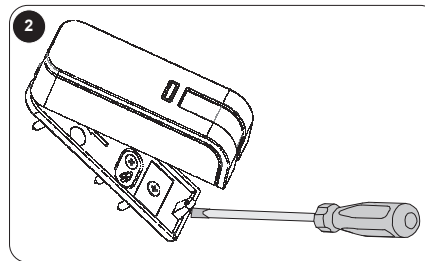
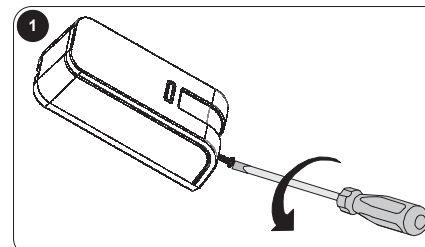
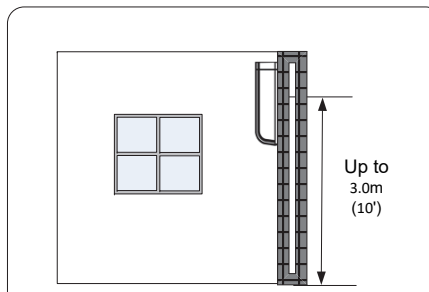
A cortina PIR sem fio é um detector de montagem em parede com infravermelho passivo.

- Alcance selecionável até 6m
- Suporte integral 90° - pode ser montado de cada lado da janela
- Compatível com os sistemas sem fio unidirecional e bidirecional
- Fácil substituição de bateria

DE Funktionsweise und Eigenschaften

Der drahtlose Vorhangmelder ist ein passiver Infrarot Bewegungsmelder mit geringer Apertur (Öffnungsweite).

- Detektionsreichweite bis zu 6m
- Integrierte 90° Montagevorrichtung
- Kompatibel mit uni- und bidirektionalen Systemen (1-Weg/ 2-Wege)
- Einfacher Batterietausch



SW1	Function	OFF * Default	ON
1	1-Way / 2-Way	1-Way	2-Way*
2	LED	OFF	ON*
3	Sensitivity	Low 3 m*	High 6 m
4	Normal / Walk Test	Normal 2,5 min*	Walk Test

SW1	Funzione	OFF * Default	ON
1	Mono / Bidi	Monodirez.	Bidirez.*
2	LED	OFF	ON*
3	Sensibilità	Bassa 3 metri*	Alta 6 metri
4	Modo Operativo	Normale Inibizione 2,5 minuti*	Prova di movimento

SW1	Función	OFF * Por defecto	ON
1	Uni/Bidireccional	Unidirecc.	Bidirecc.*
2	LED	OFF	ON*
3	Sensibilidad	Baja 3 m*	Alta 6 m
4	Modo Funcionamiento	Normal 2,5 min*	Test de Paseo

SW1	Fonction	OFF *Par Défaut	ON
1	Mono/Bidirectionnel	Monodirect.	Bidirect.*
2	LED	OFF	ON*
3	Sensibilité	Faible 3 m*	Elevée 6 m
4	Normal/Test de Marche	Normal 2,5 min*	Test de Marche

SW1	Funcion	OFF * Padrão	ON
1	Unidireccional/Bidireccional	Unidireccional	Bidireccional*
2	LED	OFF	ON*
3	Sensibilidade	Baixa 3 m*	Alta 6 m
4	Operação	Normal 2,5 min*	Teste de Caminhada

SW1	Funktion	Werkseinstellung*	
		AUS	EIN*
1	1-Weg/2-Wege	1-Weg	2-Wege*
2	LED	AUS	EIN*
3	Empfindlichkeit	Niedrig 3m *	Hoch 6m
4	Normal/ Schnell	Normal 2,5min	Schnell

EN

Registering the Detector into the system

The Curtain detector must identify itself to the system receiver. This can be done by typing the 11 digit serial number of the detector into the system or using RF mode. To register the detector using the serial number refer to the system installation manual.

Enrolling using RF communication

1. Set the receiver to Learn mode.
2. Insert the batteries and Close the bracket. In 3 seconds the Curtain detector will send a WRITE message. A successful learning will be indicated by a confirmation message that indicates the detector allocation in the system.

IT

Registrazione del rivelatore nel sistema

Il rivelatore tenda deve essere identificato dal ricevitore radio del sistema. Questa operazione può avvenire inserendo nel sistema le 11 cifre del numero di serie dell'unità o tramite memorizzazione RF per autoapprendimento.

Per registrare il rivelatore utilizzando il numero di serie fare riferimento al manuale di installazione e programmazione del sistema utilizzato.

Registrazione tramite memorizzazione RF per autoapprendimento

1. Impostare l'unità radio del sistema in modo memorizzazione dispositivi.
2. Inserire le batterie nel sensore e chiudere la staffa di fissaggio (chiusura interruttore tamper). Entro 3 secondi il rivelatore tenda trasmetterà un messaggio "WRITE" di trasmissione indirizzo. Un messaggio di dispositivo registrato confermerà una memorizzazione avvenuta con successo.

ES

Registro del detector en el sistema

El detector de Cortina debe identificarse en el receptor del sistema. Esto puede hacerse escribiendo en el sistema el número de serie de 11 dígitos del detector, o bien usando el modo RF (Radio Frecuencia).

Para registrar el detector usando el número de serie, consulte el manual de instalación del sistema.

Asignación del detector usando la comunicación RF

1. Ponga el receptor en modo Aprendizaje.
2. Inserte las pilas y cierre el detector. En 3 segundos el detector enviará un mensaje de Escritura. Si se ha dado de alta correctamente, se oirá un mensaje de confirmación indicando la asignación del detector en el sistema.

FR

Enregistrement du Détecteur dans le système

Le détecteur Rideau doit être enregistré dans le récepteur du système. Cela peut se faire en saisissant le numéro de série à 11 chiffres du détecteur dans le système, ou par adressage RF.

Pour enregistrer le détecteur en utilisant le numéro de série, reportez-vous au manuel d'installation du système.

Enregistrement par communication RF

1. Configurer le récepteur en mode Adressage
2. Insérer les piles et Fermer le détecteur. Dans les 3 secondes, le détecteur Rideau enverra un message ECRITURE. Un adressage correct sera indiqué par un message de confirmation du système, indiquant que le détecteur est bien adressé dans le système.

PR

Registrando o detector no sistema

A Cortina deve ser registrada no receptor do sistema. Isto pode ser feito através do número serial de 11 dígitos ou utilizando o modo de rádio frequência (RF). Para registrar o detector usando o número de série do sistema, consulte o manual de instalação do Agility.

Registro através de comunicação de rádio frequência

1. Configure o receptor para o modo "Learn".
2. Introduza as pilhas e pressione o interruptor do tamper por pelo menos 3 segundos. Em seguida, o detector de cortina enviará uma mensagem de escrita "WRITE". Uma mensagem de sucesso será indicada no display com a confirmação, que indicará que o detector foi adicionado ao sistema.

DE

Registrierung des Melders an die Zentrale

Der Vorhangmelder kann je nach Empfängertyp per Eingabe der Seriennummer eingelesen werden. Bitte beziehen Sie sich hierfür auf das jeweilige Handbuch des Empfängersystems. Die Seriennummer finden Sie auf der Rückseite des Melders.

Automatische Registrierung des Melders

1. Aktivieren Sie am Empfänger den „Einlernen-Modus“.
2. Legen Sie nun die Batterien, unter Berücksichtigung der Polarität, in den Melder ein.
3. Schliessen Sie die hintere Klappe (Wandabrisskontakt), nach ca. 3s wird eine Einlern-Nachricht generiert. Beachten Sie die Anzeigen des Empfängers bei erfolgreichem Einlernen.

EN

LED Display

LED	State	Description
Red	On	Alarm
	Flashing	Low battery

ES

Indicación del LED

LED	Estado	Descripción
Rojo	Encendido	Alarma
	Parpadeando	Batería baja

PR

Visualização dos LEDs

LED	Posição	Significado
Vermelho	Aceso	Alarme
	Piscando	Bateria baixa

IT

Indicatore LED

LED	Stato	Descrizione
Rosso	Acceso	Allarme
	Lampeggiante	Batteria scarica

FR

Affichage LED

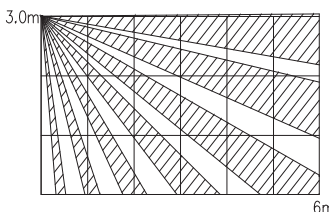
LED	Etat	Description
Rouge	Allumée	Alarme
	Clignotante	Batterie Basse

DE

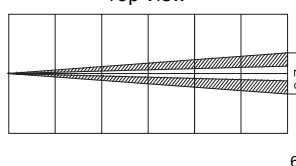
LED Anzeige

LED	Status	Beschreibung
Rot	Ein	Alarm
	Blinkend	Schwache Batterie

Coverage – Side View



Top View



EN Caution: Risk of explosion if battery is replaced by an incorrect type. Dispose of used batteries according to local regulation.

IT Attenzione: rischio di esplosione se la batteria viene sostituita con una di tipo non corretto. Smaltire le batterie usate secondo le normative vigenti.

ES Advertencia: Si la batería se sustituye por un tipo incorrecto, hay riesgo de explosión. Deshágase de las baterías usadas de acuerdo a las normativas locales.

FR Mise en garde : risque d'explosion si la pile est remplacée par un type incorrect. Débarrassez-vous des piles usagées selon les réglementations locales.

PR Cuidado: Pode ocorrer o risco de explosão, caso seja feita substituição de pilhas por outras do tipo indevido. É necessário desfazer-se das pilhas usadas de acordo com os regulamentos locais.

DE Achtung: Es besteht Explosionsgefahr bei Verwendung eines falschen Batterietyps.

Contacting RISCO Group

RISCO Group is committed to customer service and product support. You can contact us through our website www.riscogroup.com or as follows:

United Kingdom

Tel: +44-161-655-5500
support-uk@riscogroup.com

Italy

Tel: +39-02-66590054
support-it@riscogroup.com

Spain

Tel: +34-91-490-2133
support-es@riscogroup.com

France

Tel: +33-164-73-28-50
support-fr@riscogroup.com

Belgium (Benelux)

Tel: +32-2522-7622
support-be@riscogroup.com

Brazil

Tel: +55-11-3661-8767
support-br@riscogroup.com

Australia

Tel: + 1-800-991-542
support-au@riscogroup.com

China (Shanghai)

Tel: +86-21-52-39-0066
support-cn@riscogroup.com

Israel

Tel: +972-3963-7777
support@riscogroup.com

USA

Tel: +1-631-719-4400
support-usa@riscogroup.com

RED Compliance Statement

Hereby, RISCO Group declares that this equipment is in compliance with the essential requirements and other relevant provisions of Directive 2014/53/EU. For the CE Declaration of Conformity please refer to our website: www.riscogroup.com

Standard Limited Product Warranty

RISCO Ltd., its subsidiaries and affiliates ("Risco") guarantee Risco's hardware products to be free from defects in materials and workmanship when used and stored under normal conditions and in accordance with the instructions for use supplied by Risco, for a period of (i) 24 months from the date of connection to the Risco Cloud (for cloud connected products) or (ii) 24 months from production (for other products which are non-cloud connected), as the case may be (each, the "Product Warranty Period" respectively).

Contact with customers only. This Product Warranty is solely for the benefit of the customer who purchased the product directly from Risco, or from any authorized distributor of Risco. Nothing in this Warranty obligates Risco to accept product returns directly from end users that purchased the products for their own use from Risco's customer or from any installer of Risco, or otherwise provide warranty or other services to any such end user. Risco customer shall handle all interactions with its end users in connection with the Warranty, inter alia regarding the Warranty. Risco's customer shall make no warranties, representations, guarantees or statements to its customers or other third parties that suggest that Risco has any warranty or service obligation to, or any contractual privity with, any recipient of a product.

Return Material Authorization. In the event that a material defect in a product shall be discovered and reported during the Product Warranty Period, Risco shall, at its option, and at customer's expense, either: (i) accept return of the defective Product and repair or have repaired the defective Product, or (ii) accept return of the defective Product and provide a replacement product to the customer. The customer must obtain a Return Material Authorization ("RMA") number from Risco prior to returning any Product to Risco. The returned product must be accompanied with a detailed description of the defect discovered ("Defect Description") and must otherwise follow Risco's then-current RMA procedure in connection with any such return. If Risco determines in its reasonable discretion that any Product returned by customer conforms to the applicable warranty ("Non-Defective Products"), Risco will notify the customer of such determination and will return the applicable Product to customer at customer's expense. In addition, Risco may propose and assess customer a charge for testing and examination of Non-Defective Products.

Entire Liability. The repair or replacement of products in accordance with this warranty shall be Risco's entire liability and customer's sole and exclusive remedy in case a material defect in a product shall be discovered and reported as required herein. Risco's obligation and the Warranty are contingent upon the full payment by customer for such Product and upon a proven weekly testing and examination of the product functionality.

Limitations. The Product Warranty is the only warranty made by Risco with respect to the Products. The warranty is not transferable to any third party. To the maximum extent permitted by applicable law, the Product Warranty does not apply and will be void if: (i) the conditions set forth above are not met (including, but not limited to, full payment by customer for the product and a proven weekly testing and examination of the product functionality); (ii) if the Products or any part or component thereof: (a) have been subjected to improper operation or installation; (b) have been subject to neglect, abuse, willful damage, abnormal working conditions, failure to follow Risco's instructions (whether oral or in writing); (c) have been misused, altered, modified or repaired without Risco's written approval or combined with, or installed on products, or equipment of the customer or of any third party; (d) have been damaged by any factor beyond Risco's reasonable control such as, but not limited to, power failure, electric power surges, or unsuitable third party components and the interaction of software therewith or (e) any delay or other failure in performance of the product attributable to any means of communications, provided by any third party service provider (including, but not limited to) GSM interruptions, lack of or internet outage and/or telephony failure. BATTERIES ARE EXPLICITLY EXCLUDED FROM THE WARRANTY AND RISCO SHALL NOT BE HELD RESPONSIBLE OR LIABLE IN RELATION THERETO, AND THE ONLY WARRANTY APPLICABLE THERETO, IF ANY, IS THE BATTERY MANUFACTURER'S WARRANTY.

Risco makes no other warranty, expressed or implied, and makes no warranty of merchantability or of fitness for any particular purpose. For the sake of good order and avoidance of any doubt:

DISCLAIMER. EXCEPT FOR THE WARRANTIES SET FORTH HEREIN, RISCO AND ITS LICENSORS HEREBY DISCLAIM ALL EXPRESS, IMPLIED OR STATUTORY, REPRESENTATIONS, WARRANTIES, GUARANTEES, AND CONDITIONS WITH REGARD TO THE PRODUCTS, INCLUDING BUT NOT LIMITED TO ANY REPRESENTATIONS, WARRANTIES, GUARANTEES, AND CONDITIONS OF MERCHANTABILITY, FITNESS FOR A PARTICULAR PURPOSE, TITLE AND LOSS OF DATA. WITHOUT LIMITING THE GENERALITY OF THE FOREGOING, RISCO AND ITS LICENSORS DO NOT REPRESENT OR WARRANT THAT: (I) THE OPERATION OR USE OF THE PRODUCT WILL BE TIMELY, SECURE, UNINTERRUPTED OR ERROR-FREE; (II) THAT ANY FILES, CONTENT OR INFORMATION OF ANY KIND THAT MAY BE ACCESED THROUGH THE PRODUCT BY CUSTOMER OR END USER SHALL REMAIN SECURED OR NON DAMAGED. CUSTOMER ACKNOWLEDGES THAT NEITHER RISCO NOR ITS LICENSORS CONTROL THE TRANSFER OF DATA OVER COMMUNICATIONS FACILITIES, INCLUDING THE INTERNET, GSM OR OTHER MEANS OF COMMUNICATIONS AND THAT RISCO'S PRODUCTS, MAY BE SUBJECT TO LIMITATIONS, DELAYS, AND OTHER PROBLEMS INHERENT IN THE USE OF SUCH MEANS OF COMMUNICATIONS. RISCO IS NOT RESPONSIBLE FOR ANY DELAYS, DELIVERY FAILURES, OR OTHER DAMAGE RESULTING FROM SUCH PROBLEMS.

RISCO WARRANTS THAT ITS PRODUCTS DO NOT, TO THE BEST OF ITS KNOWLEDGE, INFRINGE UPON ANY PATENT, COPYRIGHT, TRADEMARK, TRADE SECRET OR OTHER INTELLECTUAL PROPERTY RIGHT IN ANY EVENT RISCO SHALL NOT BE LIABLE FOR ANY AMOUNTS REPRESENTING LOST REVENUES OR PROFITS, PUNITIVE DAMAGES, OR FOR ANY OTHER INDIRECT, SPECIAL, INCIDENTAL, OR CONSEQUENTIAL DAMAGES, EVEN IF THEY WERE FORESEEABLE OR RISCO HAS BEEN INFORMED OF THEIR POTENTIAL.

Risco does not install or integrate the product in the end user security system and is therefore not responsible for and cannot guarantee the performance of the end user security system which uses the product. Risco does not guarantee that the product will prevent any personal injury or property loss by burglary, robbery, fire or otherwise; or that the product will in all cases provide adequate warning or protection.

Customer understands that a correctly installed and maintained alarm may only reduce the risk of burglary, robbery or fire without warning, but is not an assurance or a guarantee that such an event will not occur or that there will be no personal injury or property loss as a result thereof. Consequently Risco shall have no liability for any personal injury, property damage or loss based on a claim that the product fails to give warning.

No employee or representative of Risco is authorized to change this warranty in any way or grant any other warranty.

APPROVALS (Models: RWX106)

EN50131-1,
EN50131-2-2 Grade 2,
EN50130-5 Environmental Class II,
EN50131-6: Type C EN50131-5-3 Grade 2

© RISCO Group 08/2017

5IN2061 D